

Note: This schematic is traced from the actual PCB, accuracy is not gaurenteed

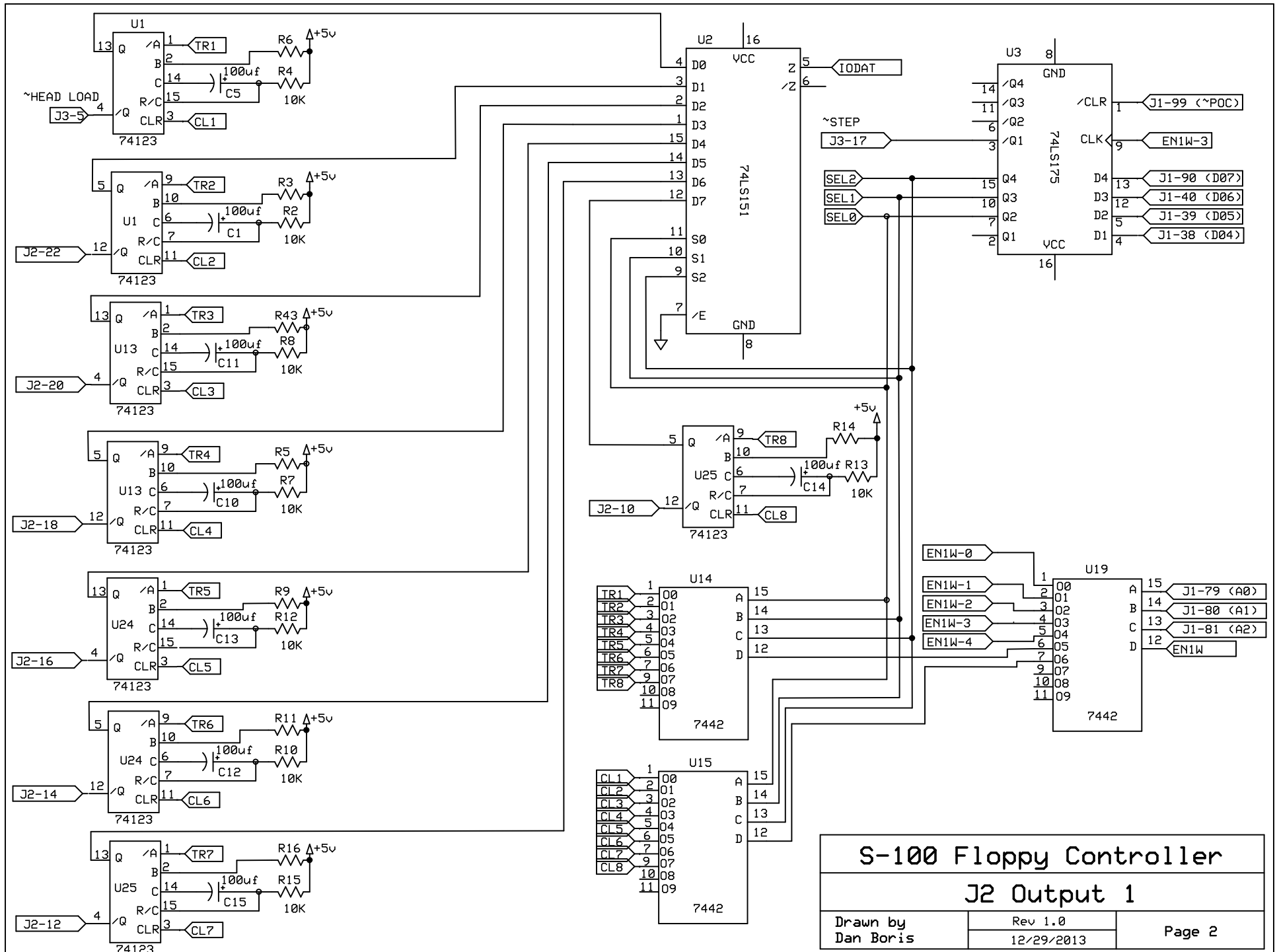
## S-100 Floppy Controller

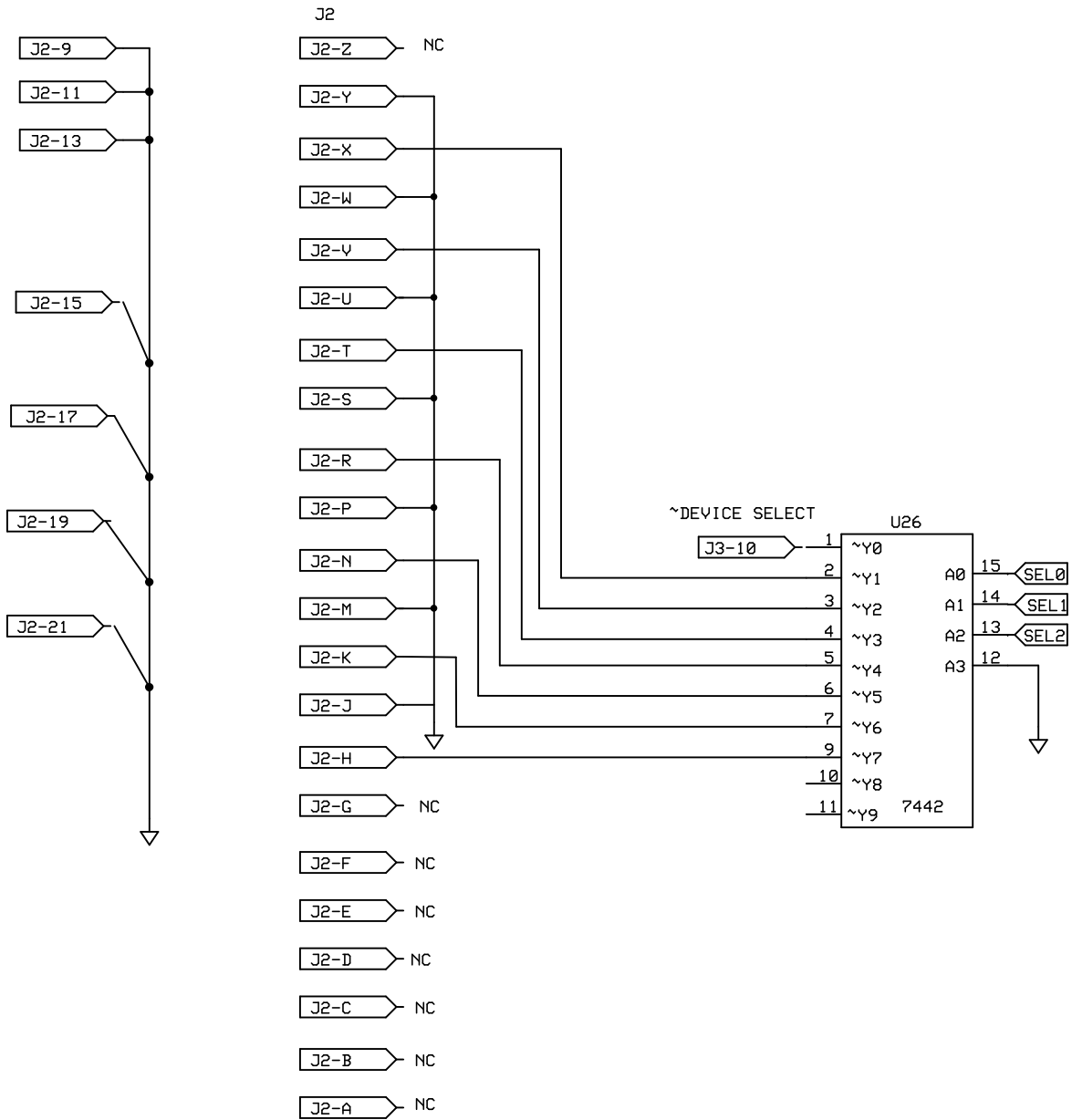
### Address Decoding

Drawn by  
Dan Boris

Rev 1.0  
12/29/2013

Page 1





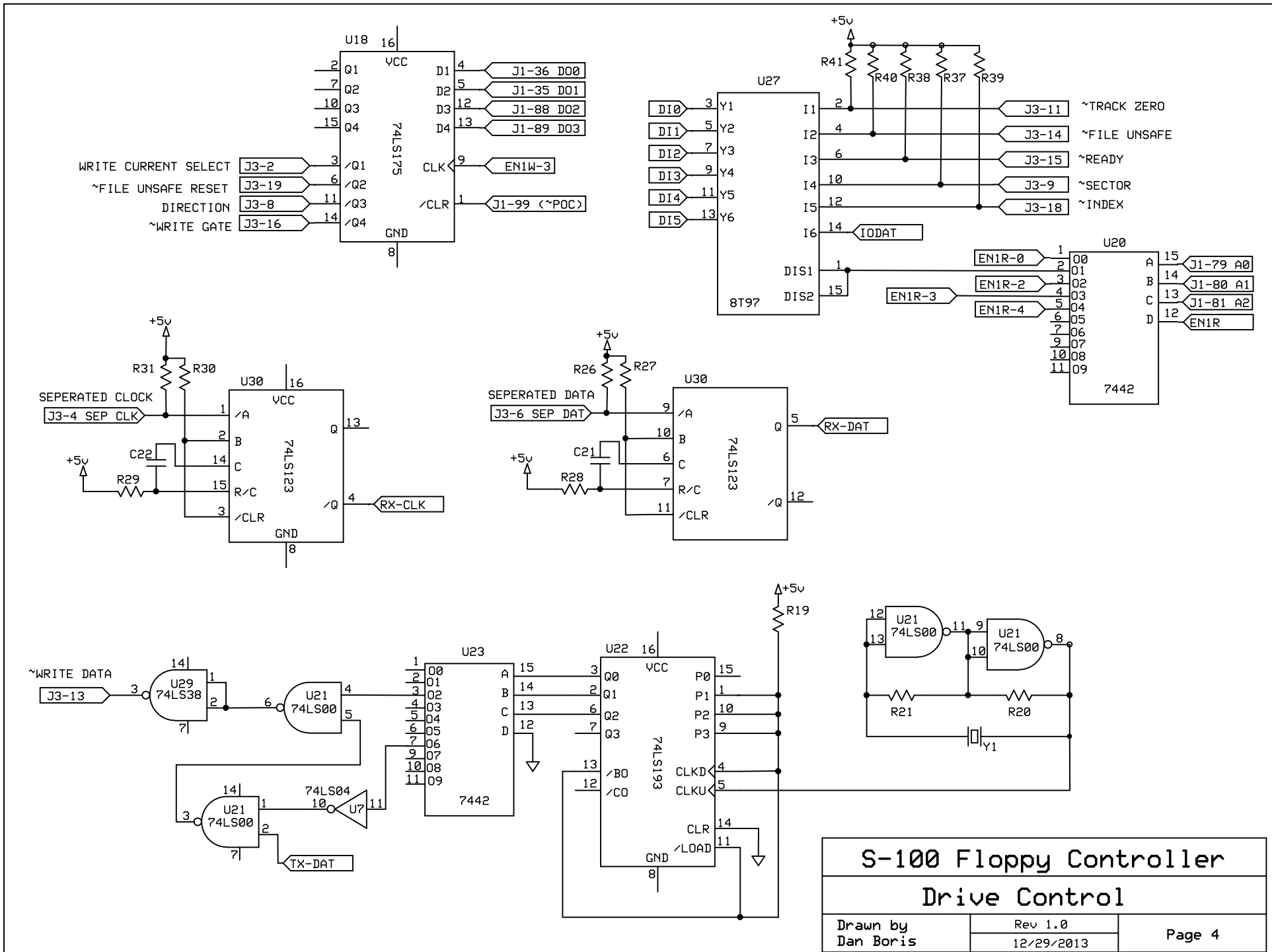
## S-100 Floppy Controller

### J2 Output 2

Drawn by  
Dan Boris

Rev 1.0  
12/29/2013

Page 3



## S-100 Floppy Controller Drive Control

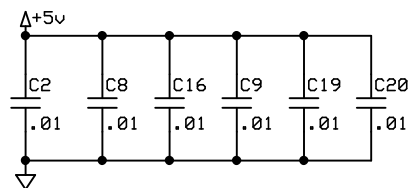
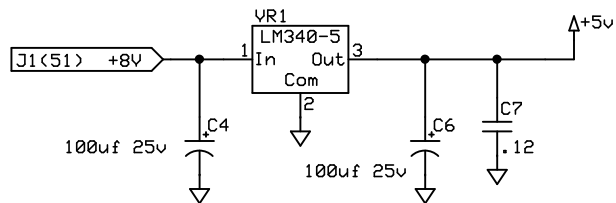
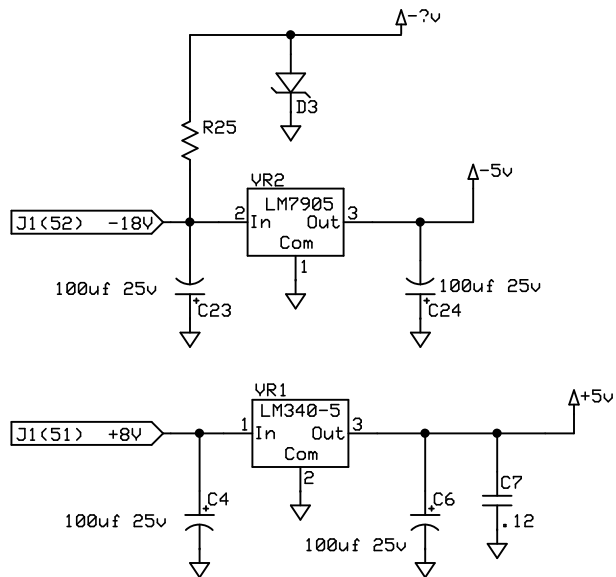
Drawn by  
Dan Boris

Rev 1.0  
12/29/2013

Page 4







## S-100 Floppy Controller

### Power

Drawn by  
Dan Boris

Rev 1.0  
12/29/2013

Page 7