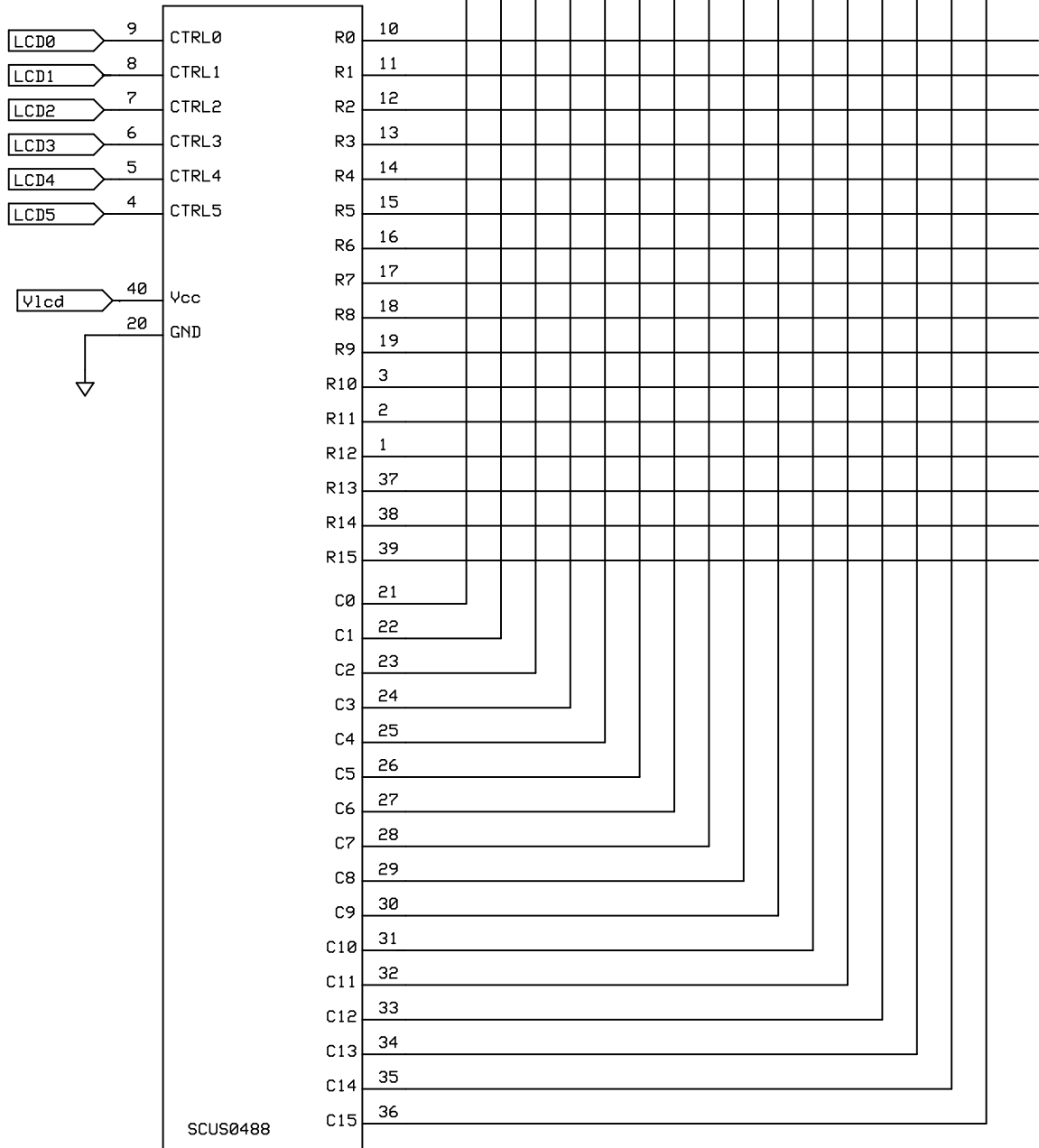
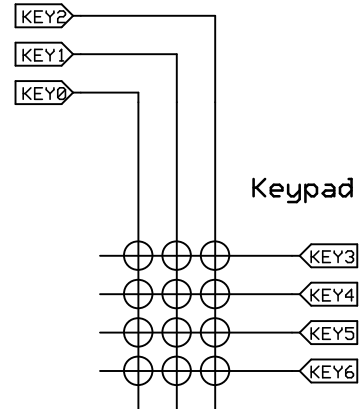


LCD

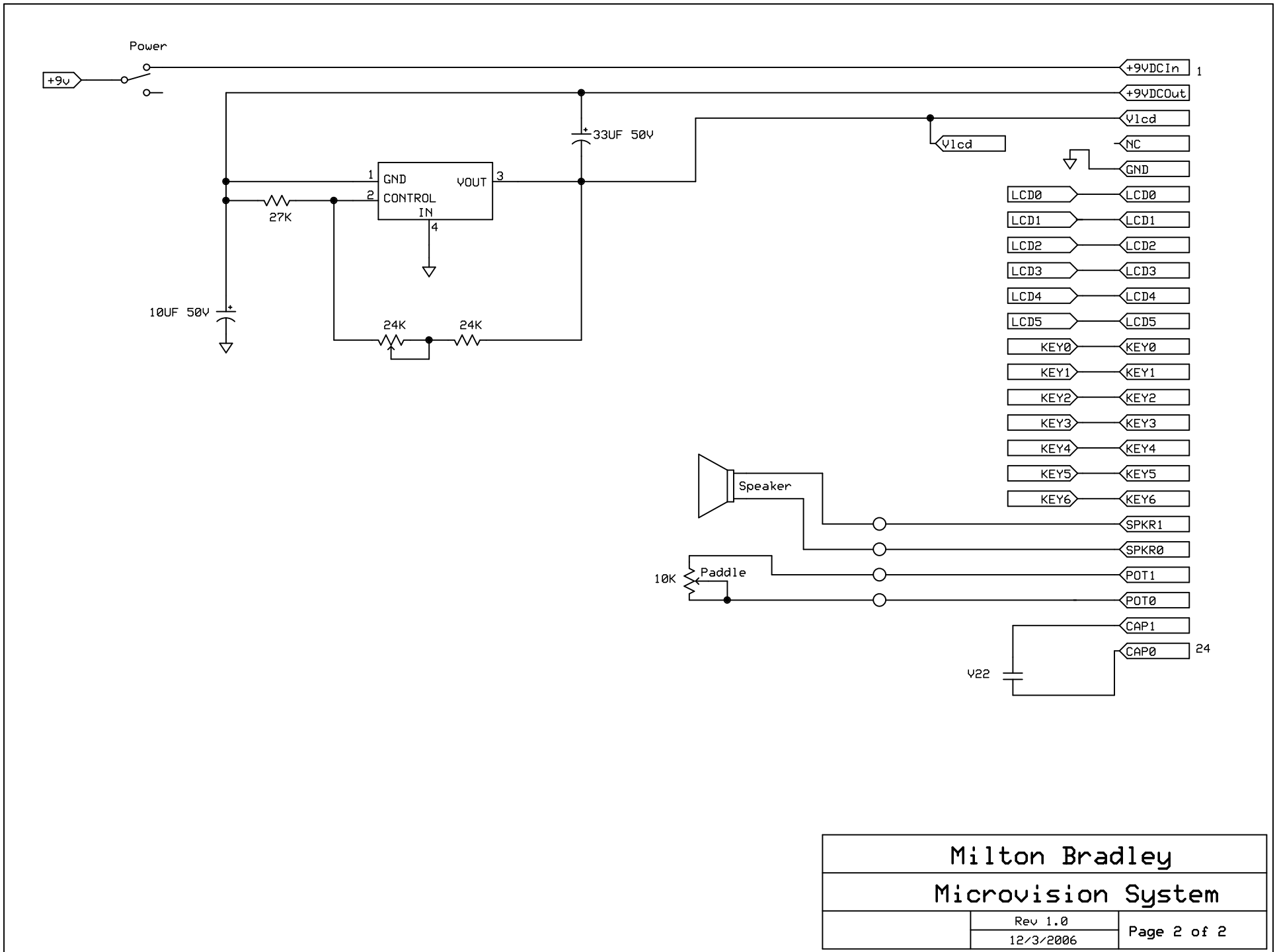


SCUS0488



Milton Bradley	
Microvision System	
Rev 1.0	Page 1 of 2
12/3/2006	

This circuit was traced from the actual PCB, accuracy cannot be guaranteed



<b>Milton Bradley</b>	
<b>Microvision System</b>	
Rev 1.0	Page 2 of 2
12/3/2006	