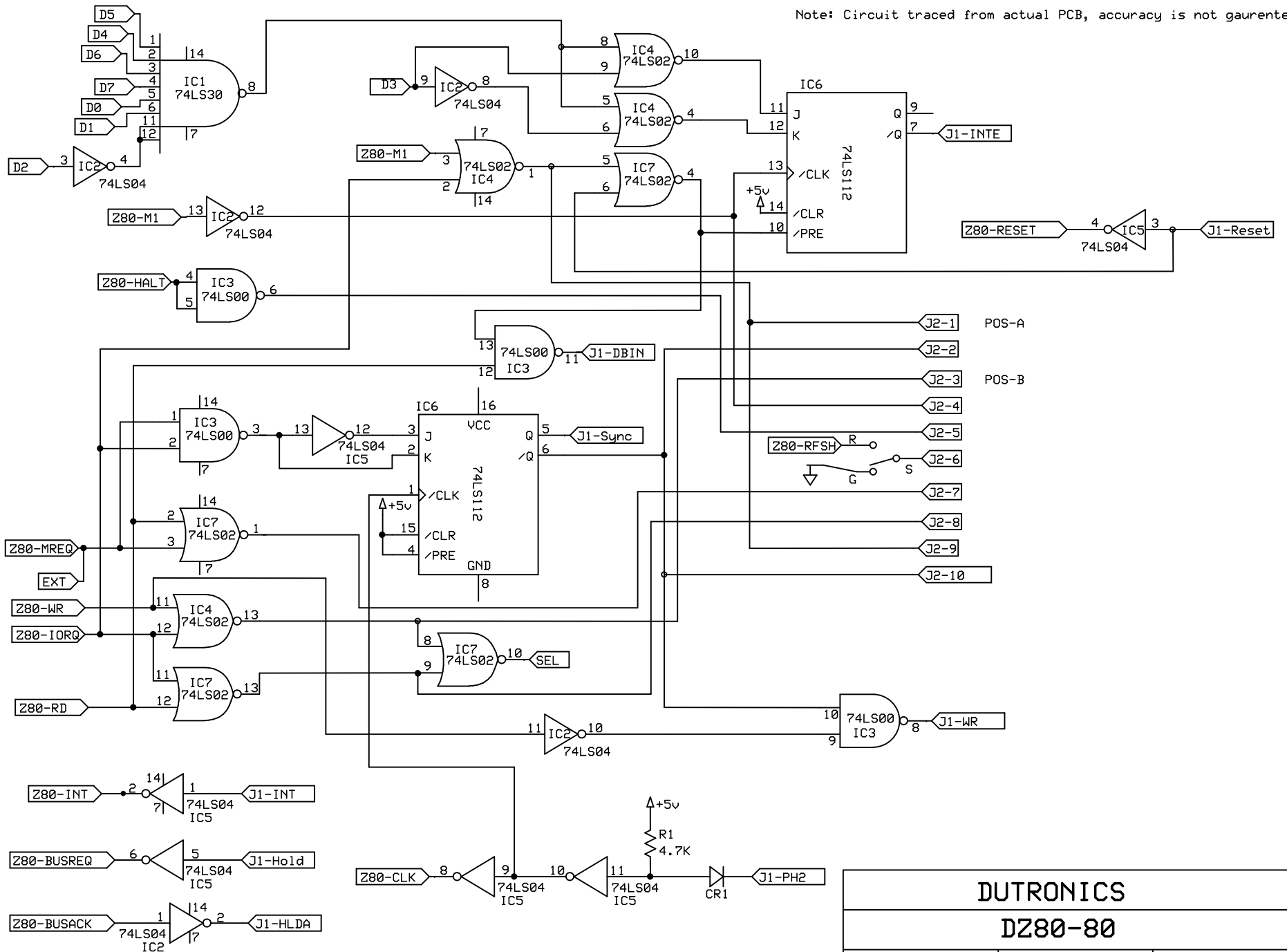
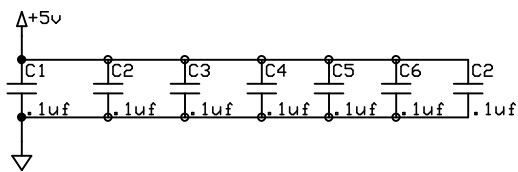
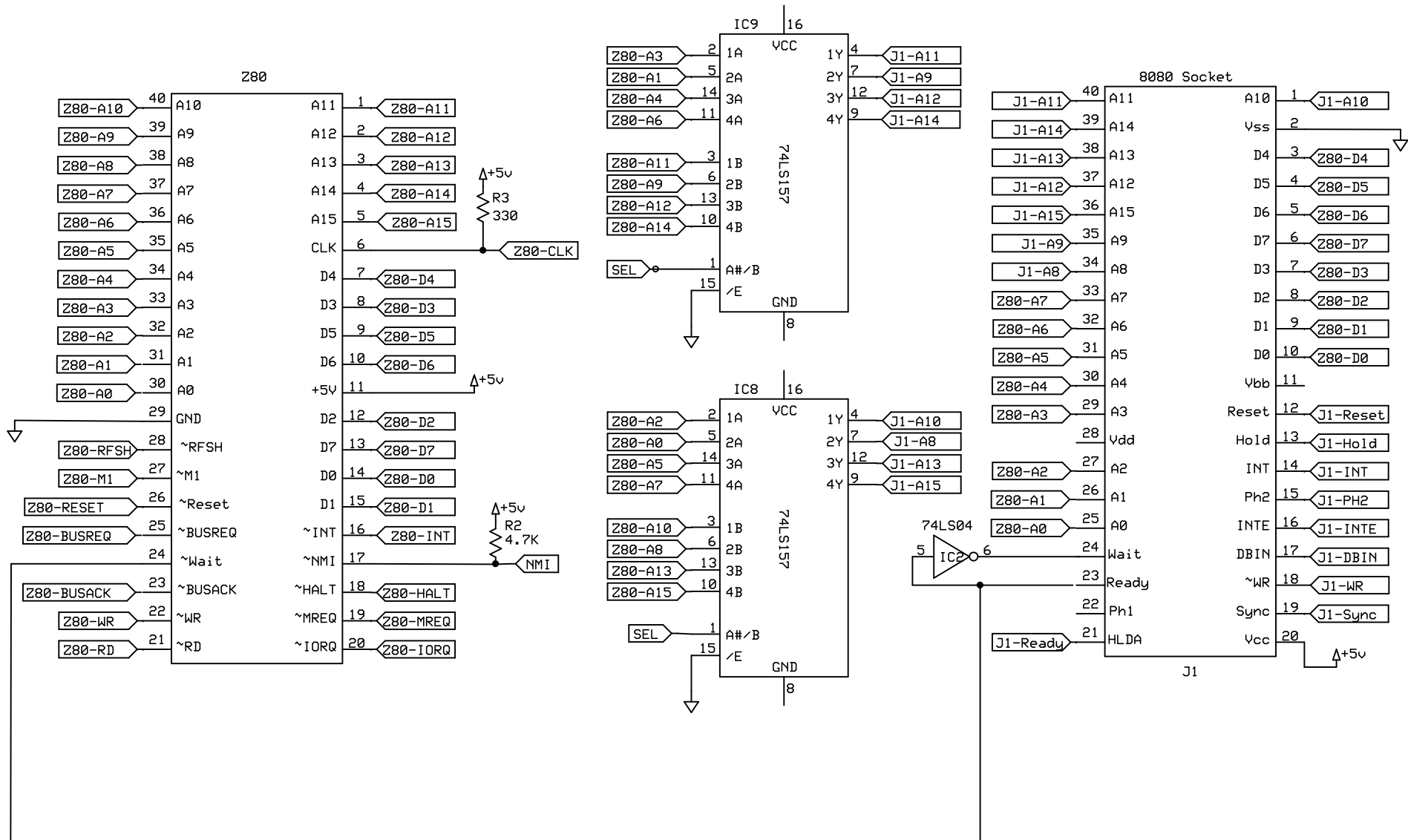


Note: Circuit traced from actual PCB, accuracy is not gaurenteed



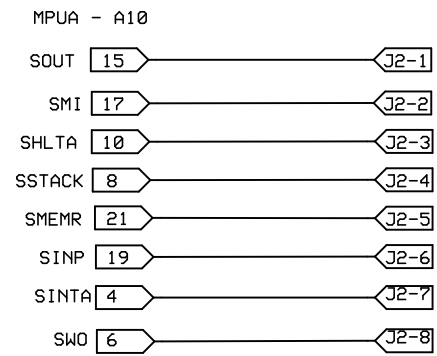
DUTRONICS		
DZ80-80		
Dan Boris	Rev 1.0 3/24/2013	Page 1 of 3

Note: Circuit traced from actual PCB, accuracy is not gaurenteed



DUTRONICS		
DZ80-80		
Dan Boris	Rev 1.0	Page 2 of 3
	3/24/2013	

Note: Circuit traced from actual PCB, accuracy is not gaurenteed



Cable from DZ80-80 J2 to MPUA - A10

DUTRONICS		
DZ80-80		
Dan Boris	Rev 1.0	Page 3 of 3
	3/24/2013	