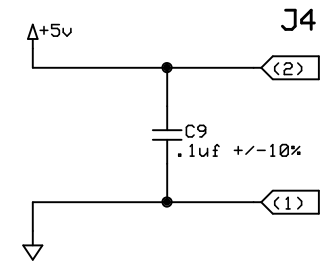
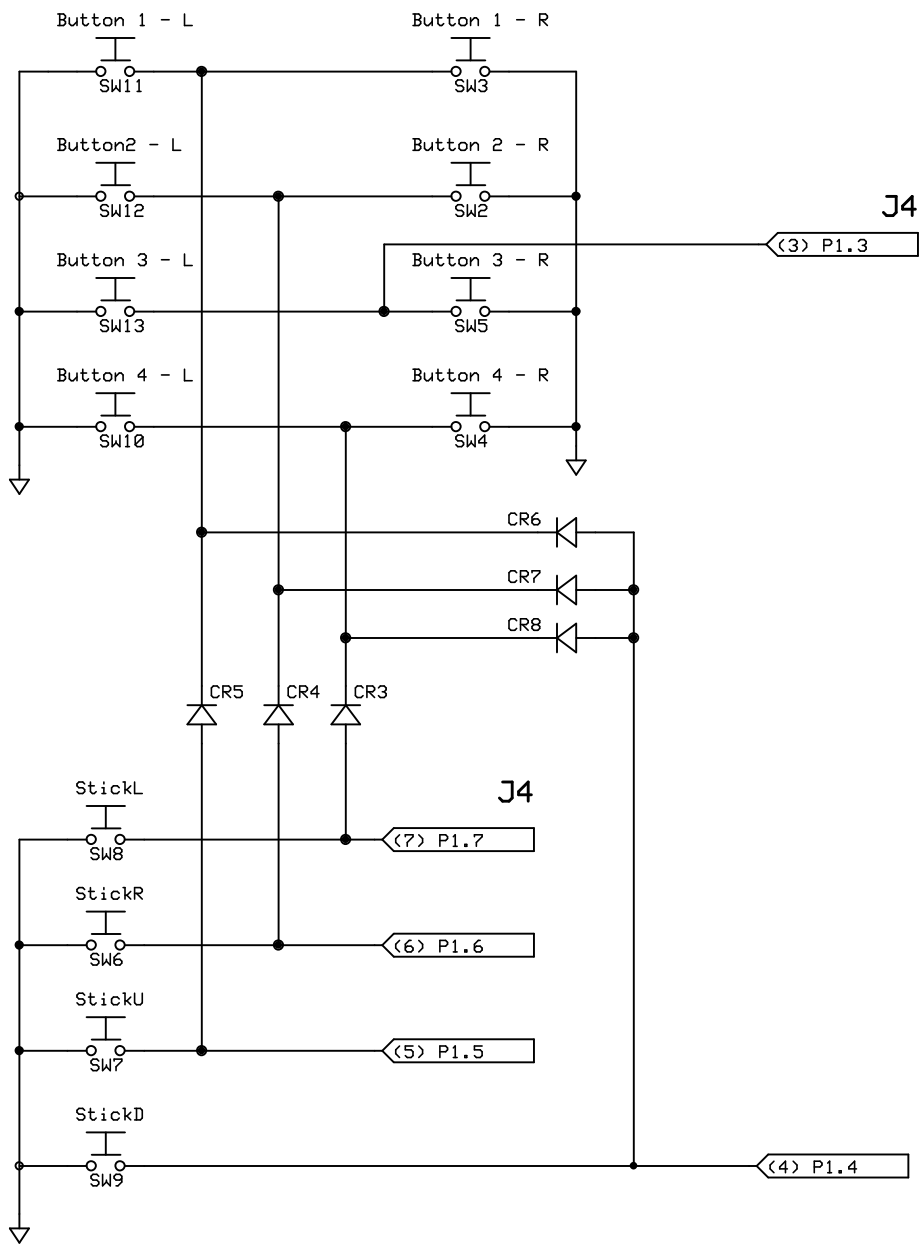


Entex Adventurevision
Controller PCB (Sound)

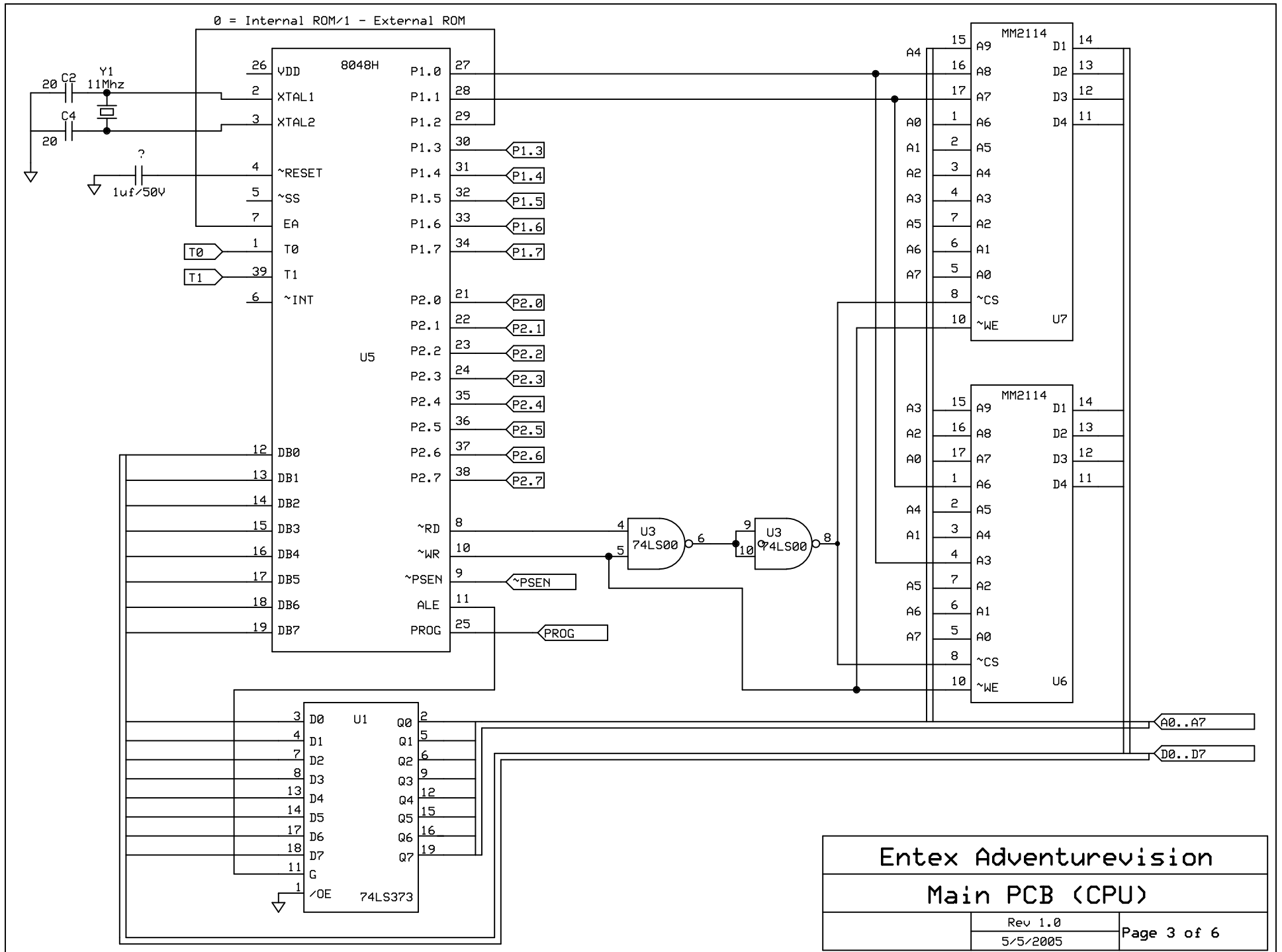
Rev 1.0
5/5/2005

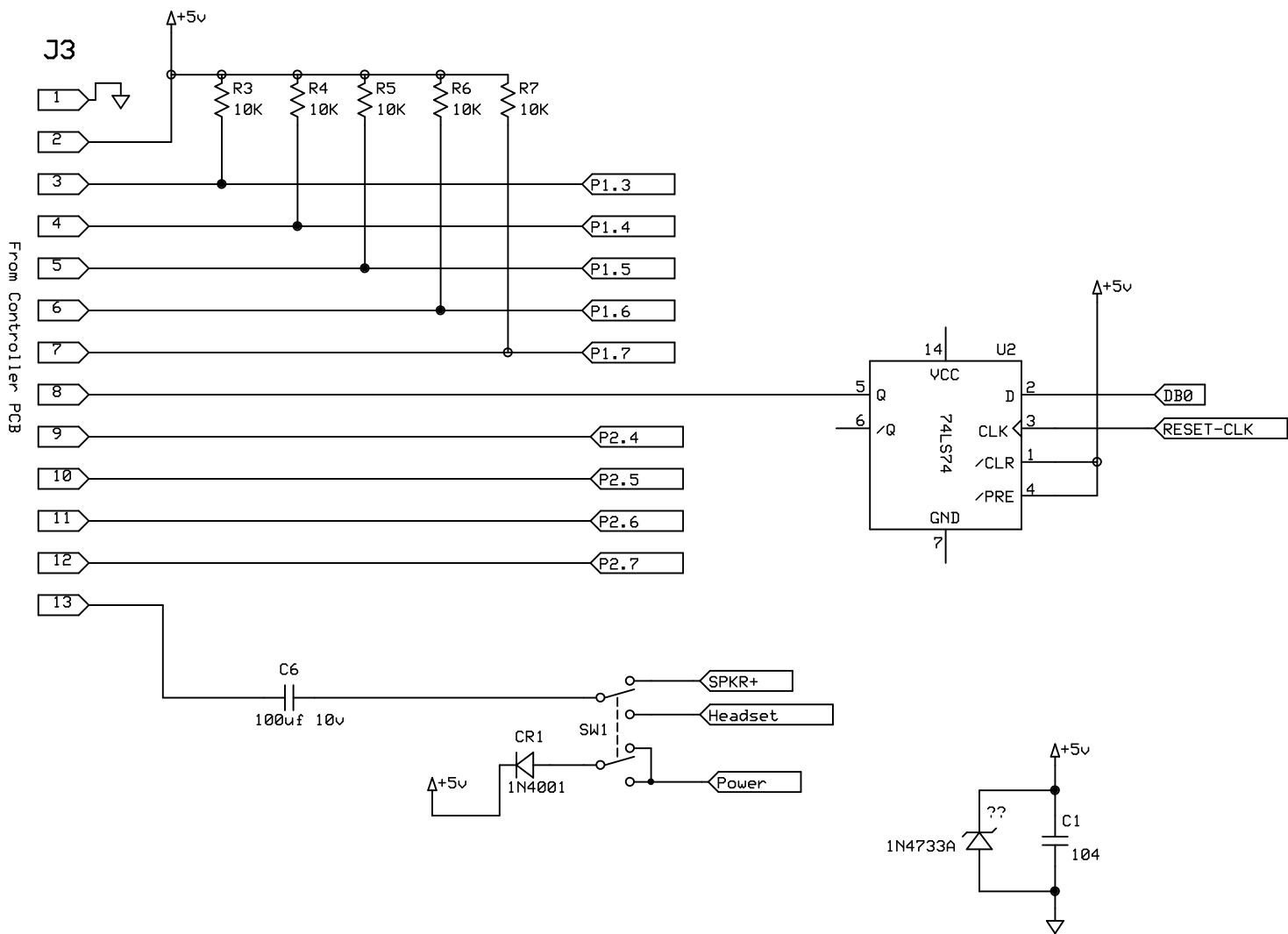
Page 1 of 6



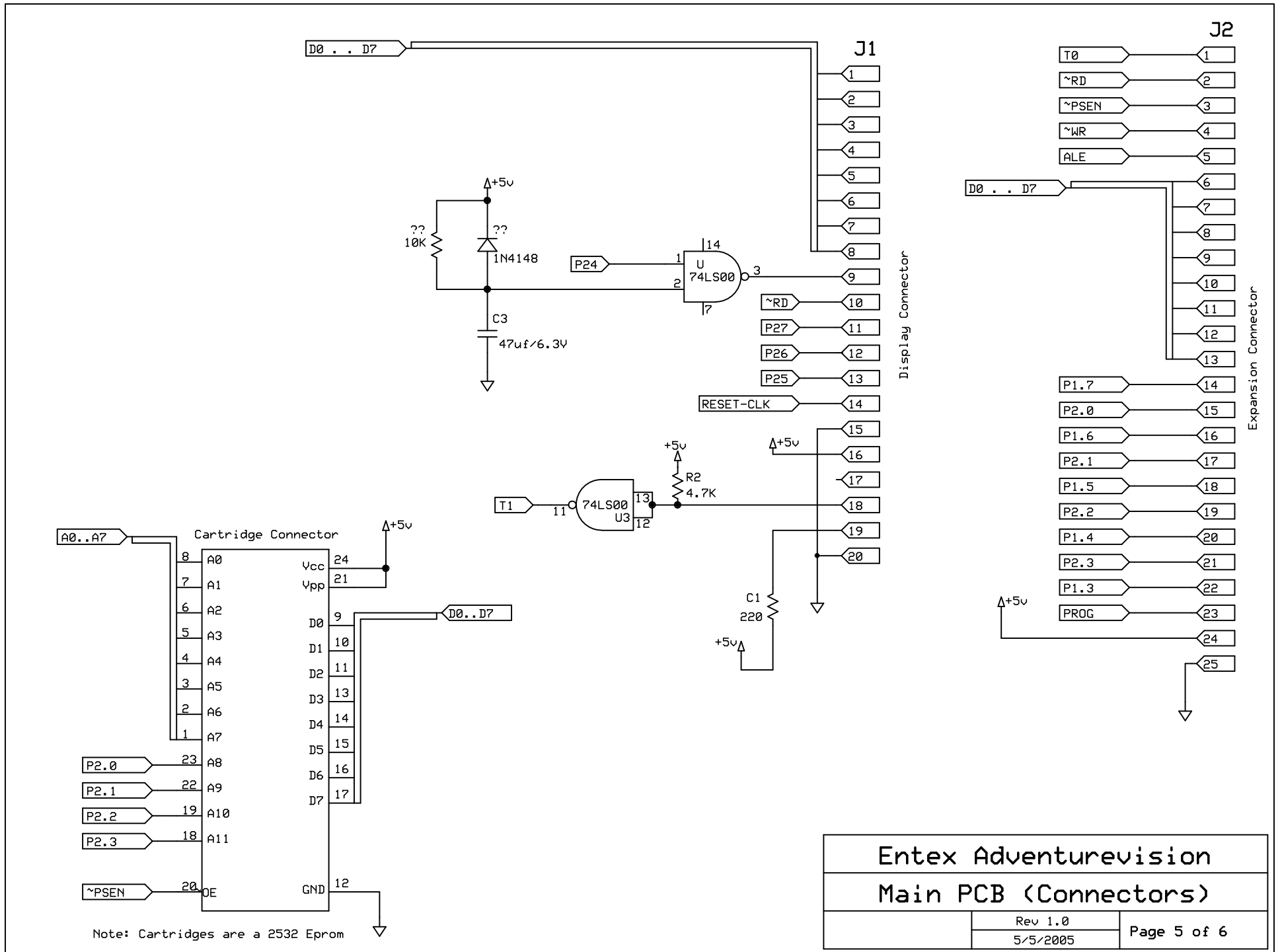
All diodes: 1N4148

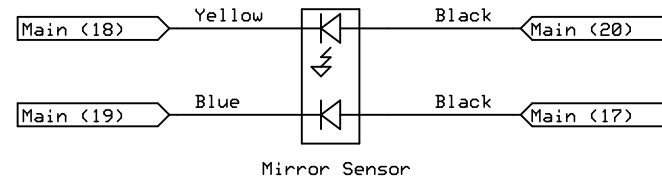
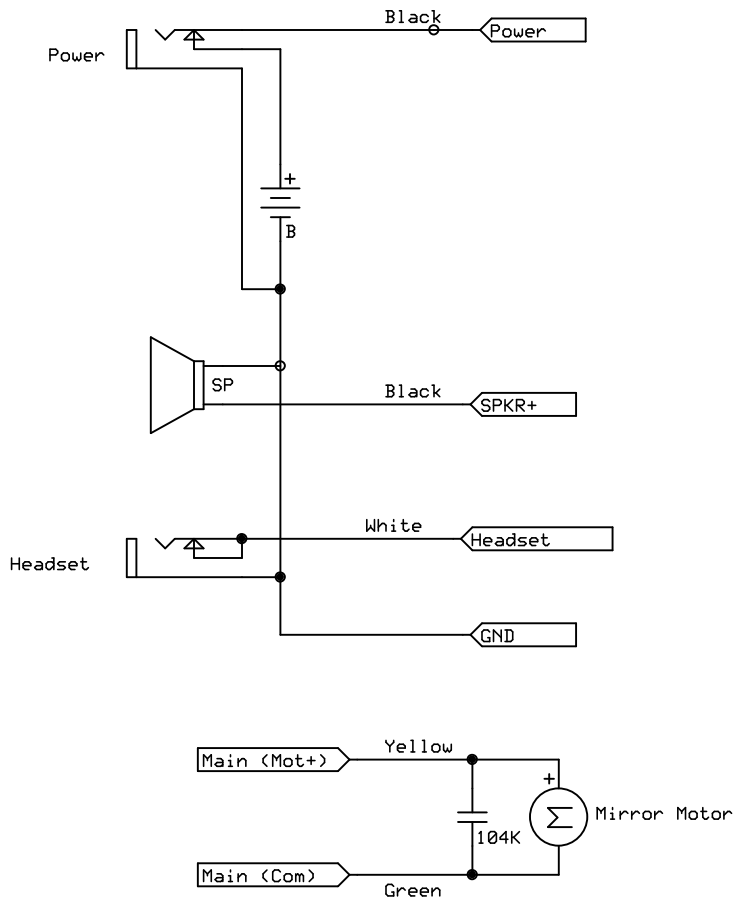
Entex Adventurevision	
Controller PCB (Controller)	
Rev 1.0	Page 2 of 6
5/5/2005	





Entex Adventurerevision	
Main PCB (Keypad Interface)	
Rev 1.0	Page 4 of 6
5/5/2005	





Entex Adventurevision	
Wiring Diagram	
Rev 1.0	Page 6 of 6
5/5/2005	